

*SINGLE TUBULAR UPSWEEP ARM SPECIFICATIONS		
CATALOG NO.	ARM LENGTH (FT.)	RISE (FT.)
HPS-1-2514	4'	3'
HPS-1-2516	6'	3'
HPS-1-2518	8'	3'

POLE SPECIFICATIONS			
NO.	COMPONENT	ASTM DESIGNATION	MIN. YIELD (P.S.I)
1.	POLE SHAFT	A-595 GR. A	55,000
2.	BASE PLATE	A36	36,000
3.	ANCHOR BOLTS	F1554 GR. 55	55,000
4.	GALVANIZED HARDWARE	A153	-

POLES SHALL HAVE A POLYESTER POWDER COAT FINISH IN A STANDARD COLOR.

POLE DIMENSIONS			
POLE HGT (FT.)	TOP DIA. (IN.)	BOTTOM DIA. (IN.)	MTG. HGT. (FT.)
22'	3.92	7.00	25'

BASE PLATE DIMENSIONS			
BOLT CIRCLE (IN.)	BASE PLATE DIM. (IN.)	BOLT HOLE (IN.)	PLATE THK. (IN.)
9.50-10.50	11.00 SQ	1.25	1.00

ANCHOR BOLT DIMENSIONS	
ANCHOR BOLT DIA. (IN.)	ANCHOR BOLT LENGTH (IN.)
1.00	40.00

ALLOWABLE WIND LOADING (SQ. FT.) PER ARM	
WIND*	EPA
100 MPH	2.0

\*WITH 1.3 GUST FACTOR

SOME GEOGRAPHICAL AREAS HAVE SPECIAL WIND CONDITIONS THAT CAN CREATE WIND INDUCED VIBRATIONS CAUSING A FATIGUE PROBLEM. NO METHOD HAS YET BEEN FOUND FOR PREVENTING OR REDUCING THESE VIBRATIONS. THEREFORE, WIND LOADS AND WIND DIRECTIONS FOR DESIGN PURPOSES ARE REQUIRED. THESE WIND LOADS AND DIRECTIONS ARE REQUIRED AND ARE THE RESPONSIBILITY OF A LOCAL SITE ENGINEER.

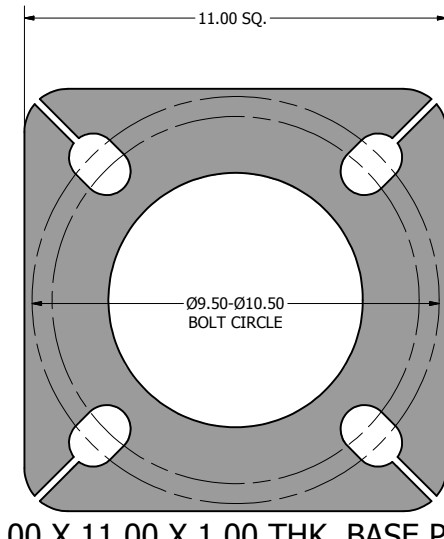
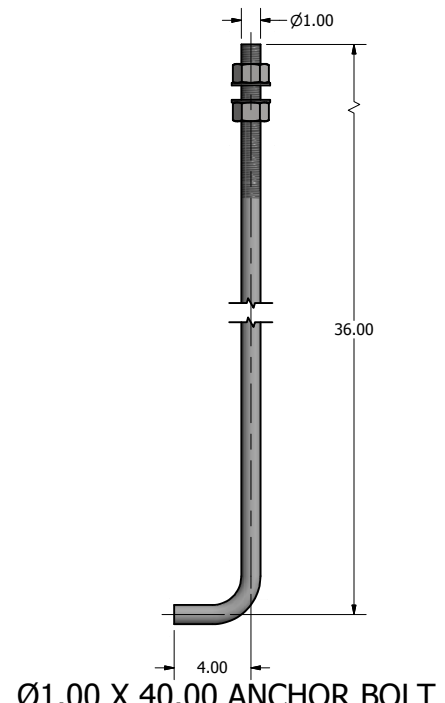
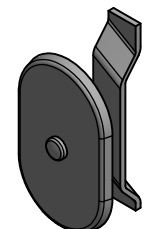
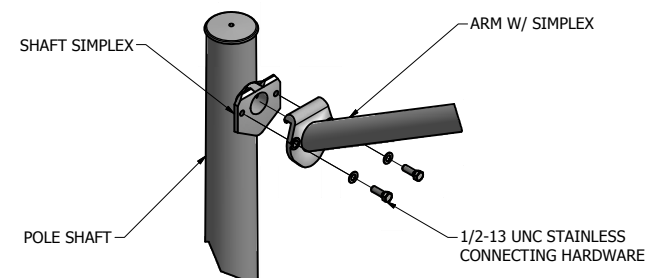
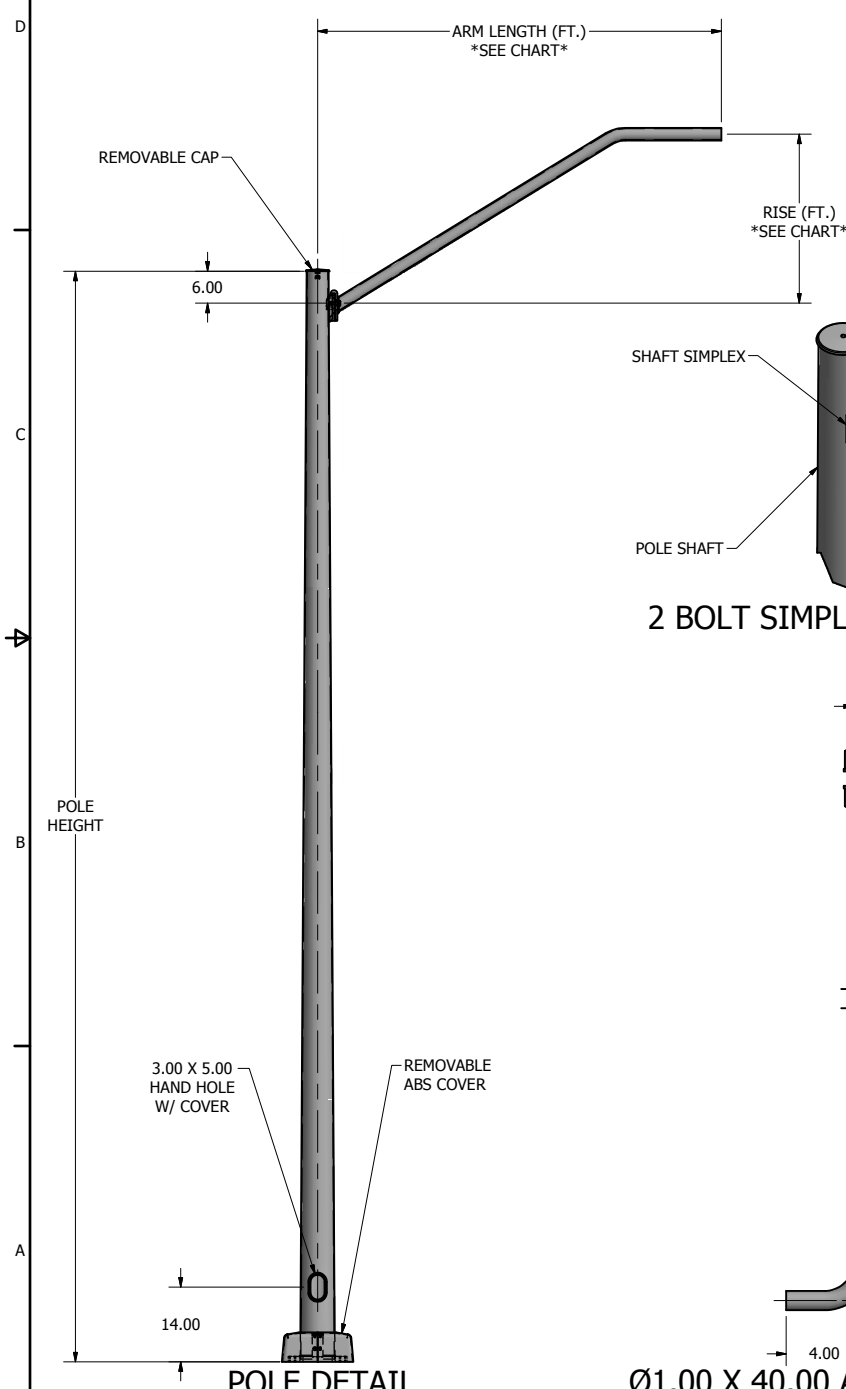
TITLE:

CATALOG:

DWG NO: HPS-1-2514-HPS-1-2518

SIZE: C

SHEET 1 OF 1



23171 Groesbeck Hwy.  
Warren, MI 48089  
P: (586) 774-6105 | F: (586) 774-5706  
www.generalstructuresinc.com

**GENERAL STRUCTURES INC.**  
A DOW COMPANY

DRAWN: M. HARVALA 2/18/2015

CHECKED: \_\_\_\_\_

REVISION: \_\_\_\_\_ DATE: \_\_\_\_\_

APPROVED: \_\_\_\_\_

QUOTE: \_\_\_\_\_

S.O.# \_\_\_\_\_

REF: \_\_\_\_\_

SCALE: NONE

270° 180° 90° 0° HANDHOLE